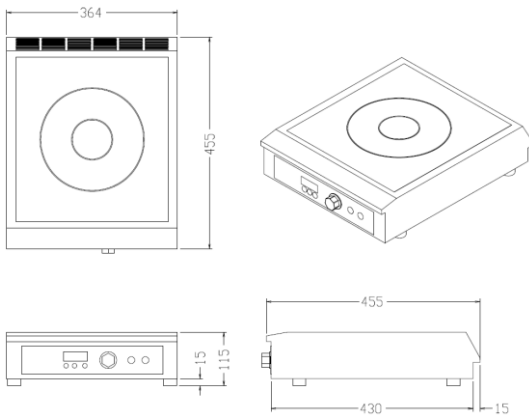


1 Hob Portable Unit

TCK26



Specification

Electricity	TCK26	220V, 60Hz, 1PH	Power Consumption	TCK26	2600 W				
	TCK26-A	208~240V, 50/60Hz, 1PH		TCK26-A					
	TCK26-E	220~240V, 50/60Hz, 1PH		TCK26-E					
	TCK24-J	200V, 50/60Hz, 1PH		TCK24-J	2400 W				
Power Connection		Plug type	Max Current		12 A				
Conversion to Calory		2246.4 Kcal/h							
Warming		H1 ~ H7 (7 steps)	Heating			1 ~ 10 (10 steps)			
7 Warming Steps (H1-H7)		H1	H2	H3	H4	H5	H6	H7	(1L Water, using chafer)
		35℃	40℃	50℃	60℃	70℃	80℃	90℃	
Dimension / Weight		Product: 364 X 455 X 115 (mm) / 7kg Package: 510 X 430 X 210 (mm) / 8.9kg							
Controller Type		Jog dial, Capacitive button (integrated into the unit)							
Cookware Diameter		min : Ø130mm max : Ø300mm			Loadable Weight		30 Kg		
Temperature Sensor Option		Sous-vide		40℃-99℃ adjusted by 1℃					
		Deep frying		40℃-200℃ adjusted by 5℃					
Recommendation		Sous-vide, Pasta, Egg station, All kinds of cooking							
Functions & Features		■ Safety							
		- No vessel : "00"							
		- Over current indication : "E1"							
		- Over voltage indication : "E2" (Above 265V)							
		- Low voltage : "E3" (Below 180V)							
		- Product over heated indication : "E4" (Internal temperature above 85℃)							
		- External thermal sensor absence or damage indication : "E5" (only when using temperature mode)							
		- Top surface overheated(empty cookware) : "E6" (Top surface temperature above 260℃)							
		- Unstable power indication: "E7"							
		- Defective PCB indication : "E8"							
- Defective Working Coil indication : "E9"									
		■ Timer Setting							
		- Between 0sec - 720min (12hr)							
		■ Precise Temperature Control							
		- From 40℃ to 200℃ adjusted by 5℃ / error factor ±5% below							
Warranty		1 year (to be charged in case of user's negligence)							

Seoul Office: #75, Ahasan-ro 78-gil, Gwangjin-gu, Seoul, Republic of Korea 04969 / Tel : +82 2-444-5895 / Fax : +82 70-4694-5412

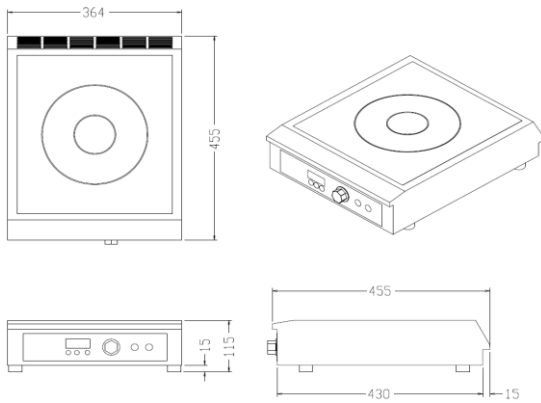
R&D Center: #209, Goraesan-ro, Wabu-eup, Namyangju-si, Gyeonggi-do, Republic of Korea 12202 / Tel : +82 2-444-5895 / Fax : +82 70-4694-5412

DIPO INDUCTION CO., Ltd. / www.dipoele.com

COPYRIGHT©2010 DIPO INDUCTION CO., LTD ALL RIGHTS RESERVED.

1 Hob Portable Unit

TCK35



Specification

Electricity	TCK35	220V, 60Hz, 1PH	Power Consumption	TCK35	3500 W				
	TCK35-A	208~240V, 50/60Hz, 1PH		TCK35-A	3300 W				
	TCK35-E	220~240V, 50/60Hz, 1PH		TCK35-E	3500 W				
	TCK30-J	200V, 50/60Hz, 1PH		TCK30-J	3000 W				
Power Connection		Plug type	Max Current		15 A				
Conversion to Calory		3024 Kcal/h							
Warming		H1 ~ H7 (7 steps)	Heating		1 ~ 10 (10 steps)				
7 Warming Steps (H1-H7)		H1	H2	H3	H4	H5	H6	H7	(1L Water, using chafer)
		35℃	40℃	50℃	60℃	70℃	80℃	90℃	
Dimension / Weight		Product: 364 X 455 X 115 (mm) / 7kg Package: 510 X 430 X 210 (mm) / 8.9kg							
Controller Type		Jog dial, Capacitive button (integrated into the unit)							
Cookware Diameter		min : Ø125mm max : Ø300mm		Loadable Weight		30 Kg			
Temperature Sensor Option		Sous-vide		40°C-99°C adjusted by 1°C					
		Deep frying		40°C-200°C adjusted by 5°C					
Recommendation		Deep frying, Pasta, Egg station, All kinds of cooking							
Functions & Features		■ Safety							
		- No vessel : "00"							
		- Over current indication : "E1"							
		- Over voltage indication : "E2" (Above 265V)							
		- Low voltage : "E3" (Below 180V)							
		- Product over heated indication : "E4" (Internal temperature above 85°C)							
- External thermal sensor absence or damage indication : "E5" (only when using temperature mode)									
- Top surface overheated(empty cookware) : "E6" (Top surface temperature above 260°C)									
- Unstable power indication: "E7"									
- Defective PCB indication : "E8"									
- Defective Working Coil indication : "E9"									
		■ Timer Setting							
		- Between 0sec - 720min (12hr)							
		■ Precise Temperature Control							
		- From 40°C to 200°C adjusted by 5°C / error factor ±5% below							
Certification		KC Mark (Korea Certification)							
Warranty		1 year (to be charged in case of user's negligence)							

Seoul Office: #75, Ahasan-ro 78-gil, Gwangjin-gu, Seoul, Republic of Korea 04969 / Tel : +82 2-444-5895 / Fax : +82 70-4694-5412

R&D Center: #209, Goraesan-ro, Wabu-eup, Namyangju-si, Gyeonggi-do, Republic of Korea 12202 / Tel : +82 2-444-5895 / Fax : +82 70-4694-5412

DIPO INDUCTION CO., Ltd. / www.dipoe.com

COPYRIGHT©2010 DIPO INDUCTION CO., LTD ALL RIGHTS RESERVED.